

Original Instruction Manual

Personnel Lock System

smart +



Manufacturer : **deconta** GmbH
Im Geer 20, 46419 Isselburg, Germany

Designation : **Personnell Lock System smart +**

Table of Contents

1.	Basic Safety Advice	3
2.	Transport	4
2.1.	Delivery	4
2.2.	Transport.....	4
2.3.	Storage	4
3.	Delivery Contents.....	4
4.	Technical Description	5
4.1.	Article description	5
4.2.	Description of the Personnel Lock System.....	5
5.	Technical data	6
6.	Initial Operation / Assembly	7
6.1.	Preperation	7
6.2.	Assembly:	7
6.3.	Automatic shower option:	11
7.	Maintenance and Care	12
8.	Declaration of Conformity	13

The copyright of this instruction manual remains the property of **deconta**. This manual is intended for assembly, operation and maintenance personnel. It contains instructions and drafts of technical nature which may neither be distributed nor used in any unauthorised way for competitive purposes or passed on to others.

1. Basic Safety Advice

The operation of the Personnel Lock System SMART-LINE must only be carried out by trained competent personnel. The information and instructions contained within this publication are of paramount importance to the user.

The manual should always be available in the immediate proximity whilst in use, and accessible to all personnel.

deconta insists as the shower user you follow the information and instruction contained within the handbook and only use it in accordance with the regulations and never use this Personnel Lock System in an inappropriate way. In the event of non-observance, **deconta** assumes no liability.

To ensure safe operation of the lock, the following must be strictly observed:

- Do not use in potentially explosive atmospheres.
- Maintenance work should only be carried out by authorised persons wearing suitable protective clothing.
- The safety and protective systems must be maintained and functioning correctly.
- Safety instructions affixed to the unit must be maintained in a legible condition and must be adhered to.
- General, legal and other binding regulations and procedures for accident prevention and handling of hazardous substances must be observed.

To ensure safety, modifications to the unit are not permitted.

We explicitly point out the additional regional and national safety measures and regulations for the operation of the appliance technology.

In addition to the instruction manual, general, legal and other binding regulations on accident prevention and environmental protection must be observed.

2. Transport

2.1. Delivery

Unless agreed otherwise, the shower system is delivered from the deconta factory packed completely and securely for transport.

Transport damage must be immediately documented following delivery by the supplier. Please note any damages on the consignment note.

2.2. Transport

Care must be taken when transporting the unit, in order to avoid damage by improper handling or carelessness.

2.3. Storage

The shower system shall only be stored in a decontaminated state.

To avoid damage, the device should only be stored in a clean dry inaccessible rooms intended for unauthorised persons only.

3. Delivery Contents

Included in the delivery contents of a modular shower system unless other agreements have been made:

- Personnel lock system (amount of chambers depending on version)
Transport rack
- Instruction manual

4. Technical Description

4.1. Article description

Personal lock in a modular system for the separation between contaminated and clean area.

Any number of chambers can be connected to each other without special components and without tools. The floor and roof elements are braced via aluminium corner profiles to achieve a high degree of stability. Floor and roof elements are framed with aluminium profiles.

In the case of asbestos removal work within containment areas, it is expected that airborne asbestos fibres will escape the containment area and pose a risk to human health and environment.

For these reasons, containment areas are separated from the asbestos-free areas and kept under dynamic negative pressure by means of negative pressure units

The personnel lock system smart + was developed and built in order to be able to enter or leave these rooms. It enables the entering and exiting as well as the cleaning of persons without endangering the environment.

4.2. Description of the Personnel Lock System

The following attributes distinguish the personnel lock system:

- Doors with viewing window
- Translucent roof element
- Good insulating properties against heat and cold
- GEKA water connection system
- Bright, smooth surfaces enable easy cleaning
- Self-closing air supply system in the doors
- Doors with magnetic locks
- Hand shower

5. Technical data

The personnel lock system smart + is available in 3 different sizes:

	Model 750	Model 900	Model 1000
Inside dimensions per chamber (in mm)	729 x 729 x 2003	879 x 879 x 2003	979 x 979 x 2003
Outside dimensions per chamber (in mm)	750 x 750 x 2009	900 x 900 x 2009	1000 x 1000 x 2009
Weight 3-chambers (without transport rack)	approx. 130 kg	approx. 156 kg	approx. 170 kg
Weight 4-chambers (without transport rack)	approx. 169 kg	approx. 203 kg	approx. 229 kg
Weight 5 chambers (without transport rack)	approx. 210 kg	approx. 253 kg	approx. 285 kg
Weight transport rack 3-chambers	approx. 44 kg	approx. 46 kg	approx. 70 kg
Weight transport rack 4/5-chambers	approx. 85 kg	approx. 87 kg	approx. 89 kg

Options:

- Automatic shower

Technical changes reserved

6. Initial Operation / Assembly

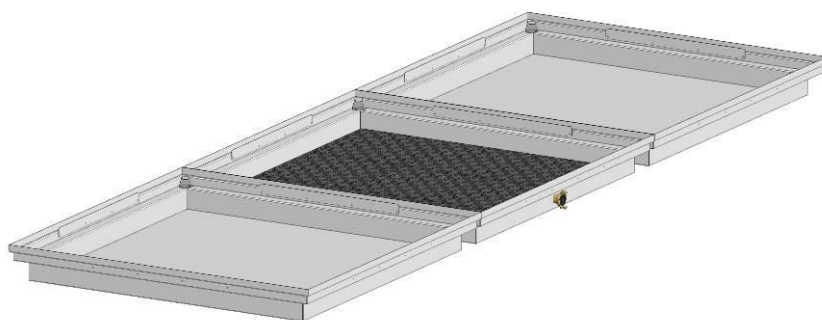
6.1. Preperation

Before assembling the personnel lock system:

- Determine the exact location and floor plan
- the underground must be clean and even

6.2. Assembly:

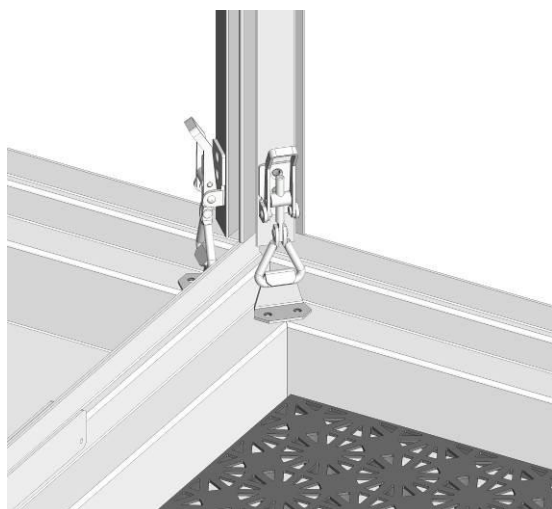
Place the floor elements flat in front of each other and insert the floor grids.



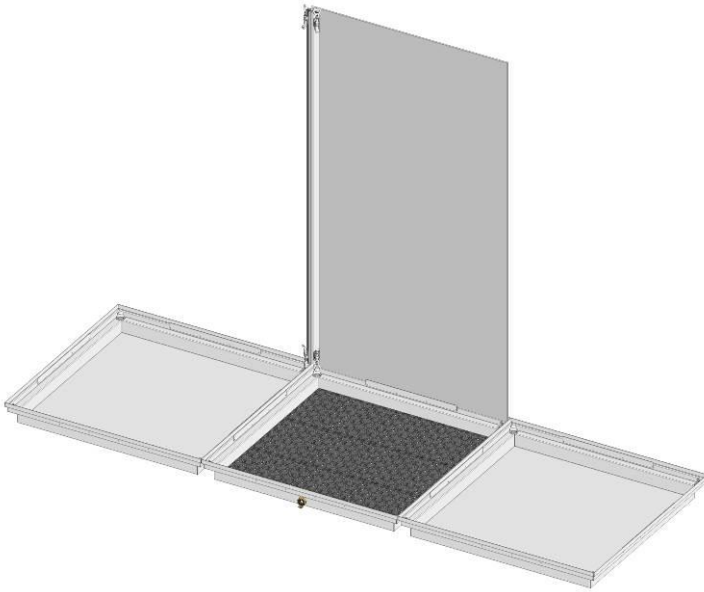
Note:

The sewage water connection of the shower chamber should have the shortest path to the water management system in order to avoid unnecessary hose and cable lengths. The mounting angles of the floor element must be cleaned before inserting the door and side elements!

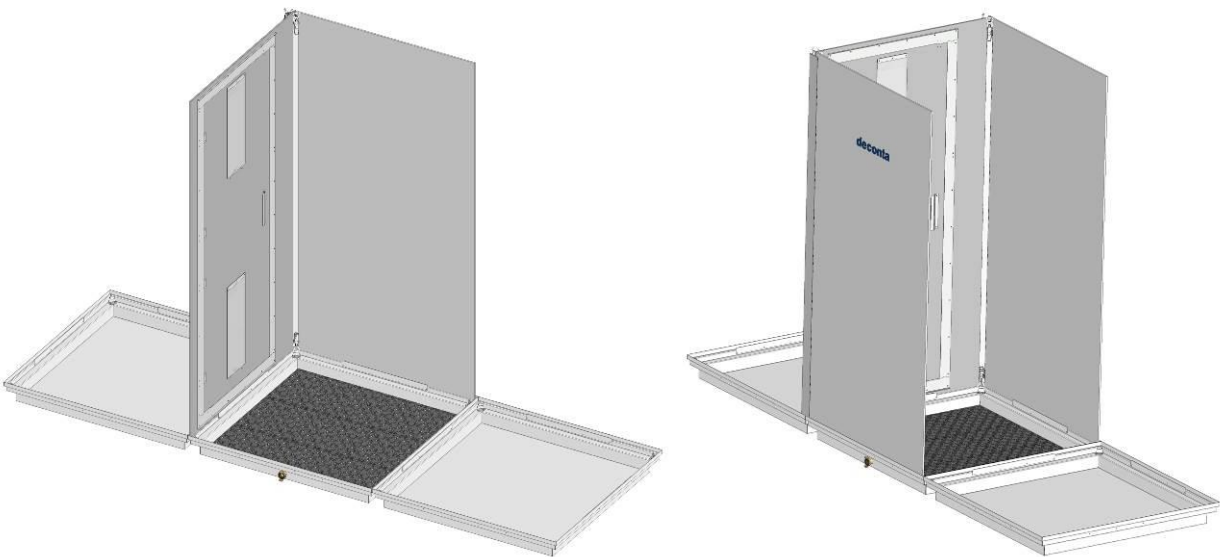
Insert the corner profile at the connecting corner of two floor elements into the receiving angles and brace the quick-release fasteners to the ends of the corner profiles with the floor elements.



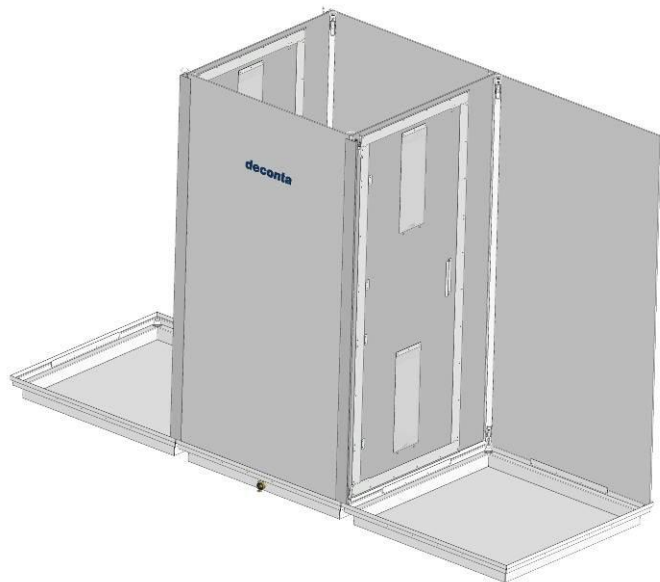
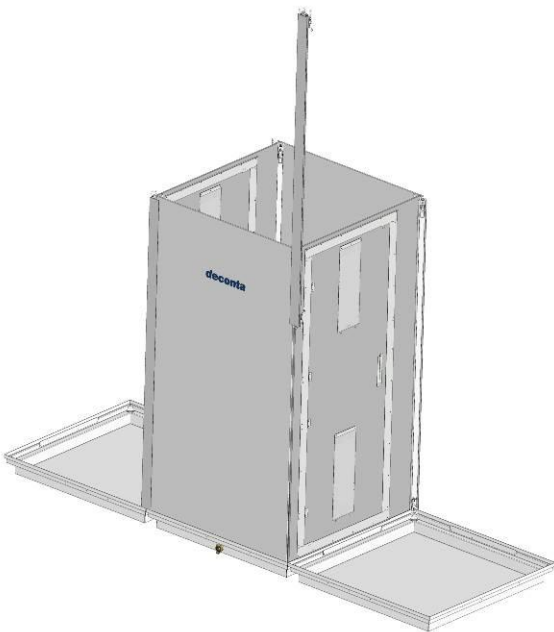
Insert a wall element into the mounting angles of the floor element and the corner profile.

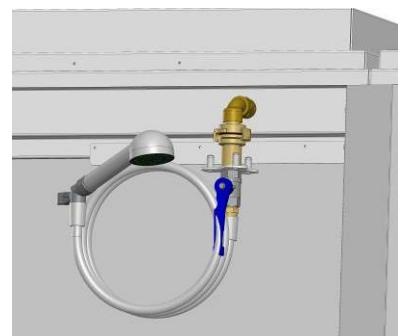
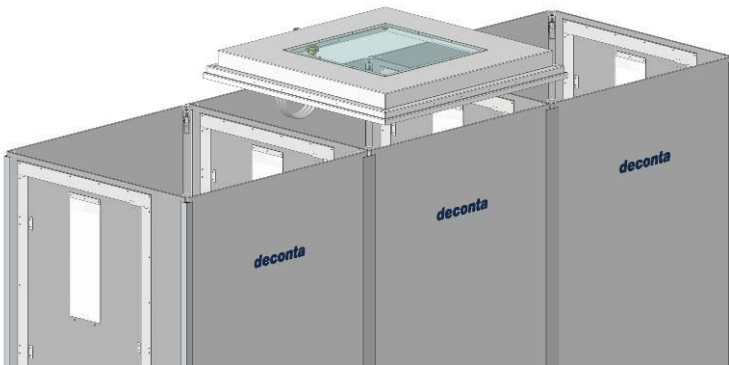
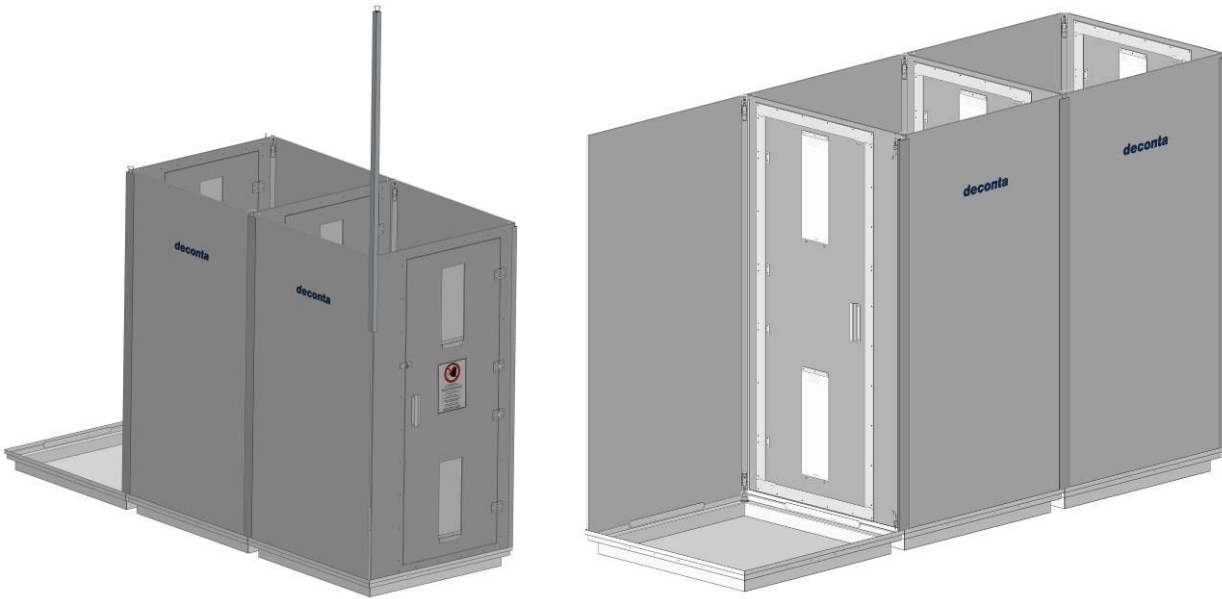


The following pictures show the further construction:



Important:
To prevent the shower water from leaking, make absolutely sure that the door elements to the shower are mounted in the receiving profile of the shower floor element!

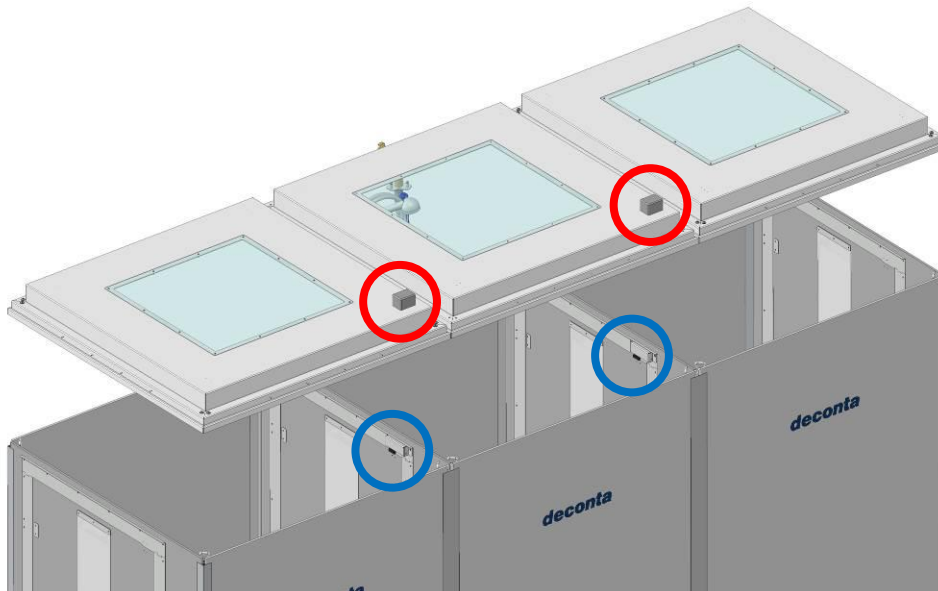






6.3. Automatic shower option:

For the "automatic shower" option, please be sure to pay attention to the position of the plugs on the roof (red circle) and the reed contacts on the doors (blue circle)!



7. Maintenance and Care

Daily maintenance

- Check the water pipes for free flow
- Clean the personnel lock system area daily
- Clean the personnel lock system carefully after each end of shift
- Check the floor elements for free flow

Conventional household detergent can be used for cleaning and care.

8. Declaration of Conformity

The manufacturer

deconta GmbH
Im Geer 20
46419 Isselburg

hereby declares that the following product

Product designation: Personenschleuse smart +
Model name: Modell 750, Modell 900, Modell 1000
Trade name: Personenschleuse smart +

Description:

Personenschleuse im Baukastensystem zur Trennung zwischen Schwarz- und Weißbereich.
Beliebig viele Kammern lassen sich ohne Sonderbauteile und ohne Werkzeug miteinander verbinden.

fulfills all the relevant provisions of the legislation (in the following) - including the changes which applied at the time of the declaration. This declaration of conformity is issued under the sole responsibility of the manufacturer.

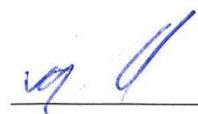
The following legislation have been applied:

RoHS Directive 2011/65/EU

The following harmonised standards have been applied:

EN IEC 63000:2018 Technical documentation for the assessment of electrical and electronic equipment with regard to the restriction of hazardous substances (IEC 63000:2016)

Place: Isselburg
Date: 11.09.2023



Leiter Konstruktion / head of construction



Leiter Elektro / head of electro